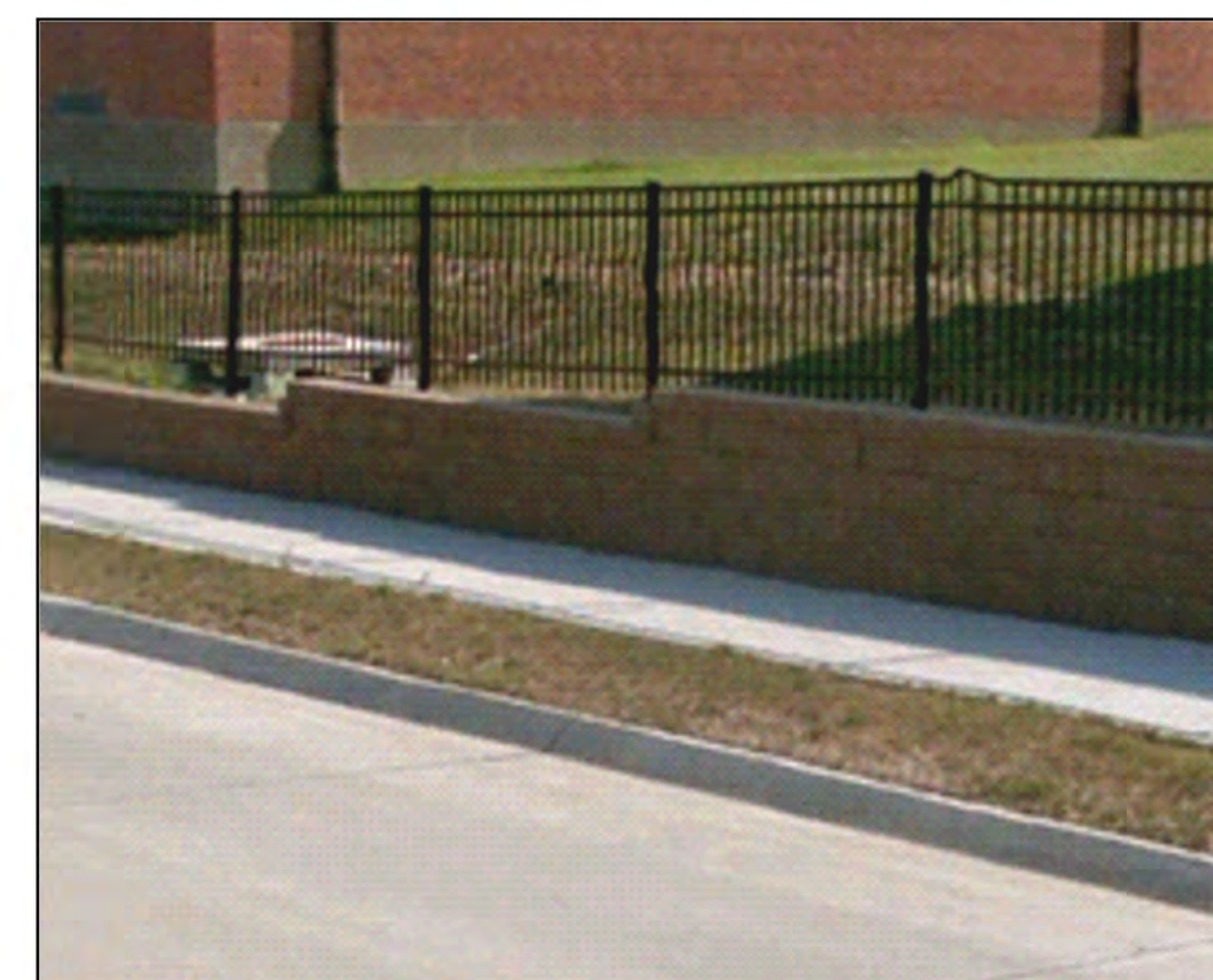
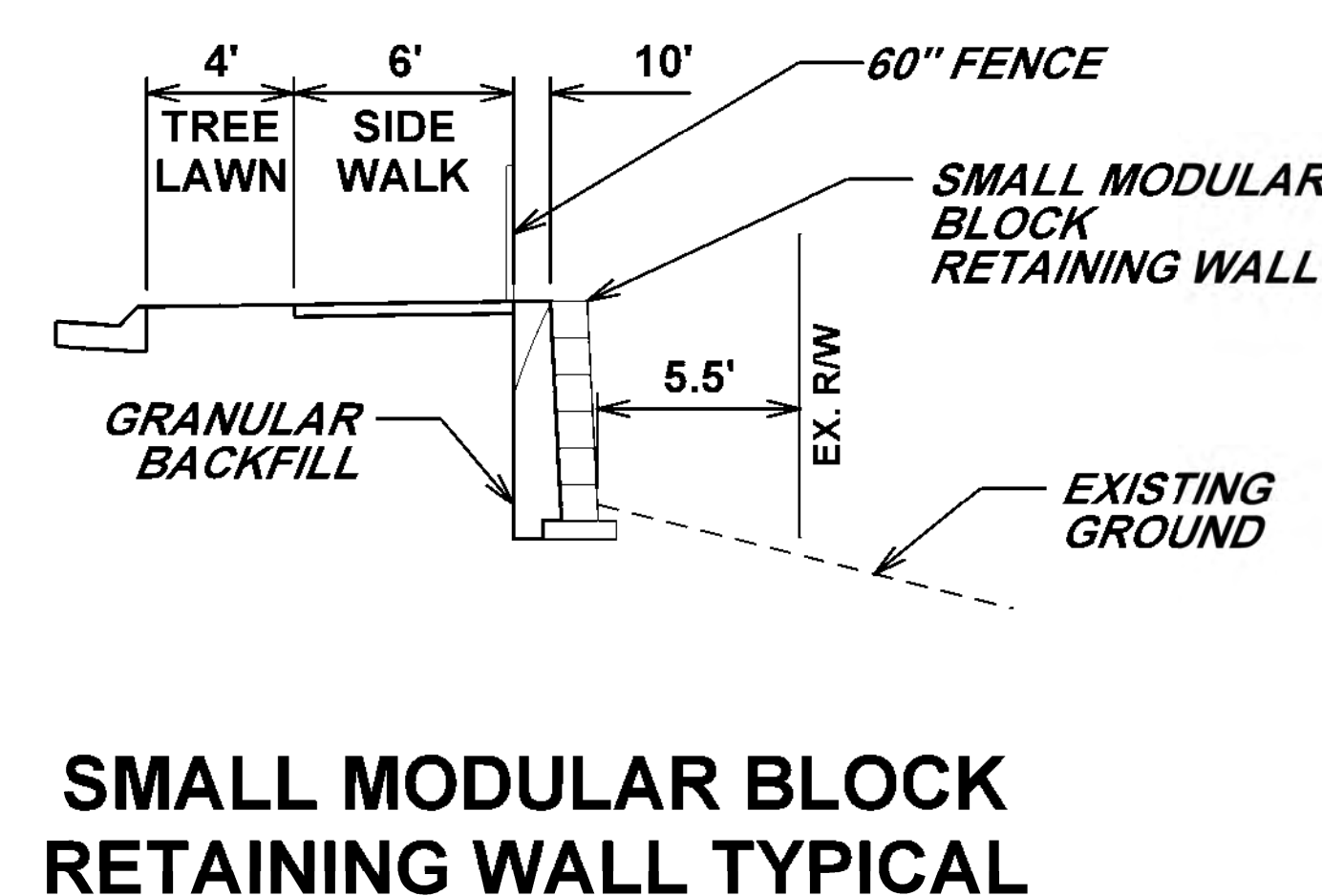
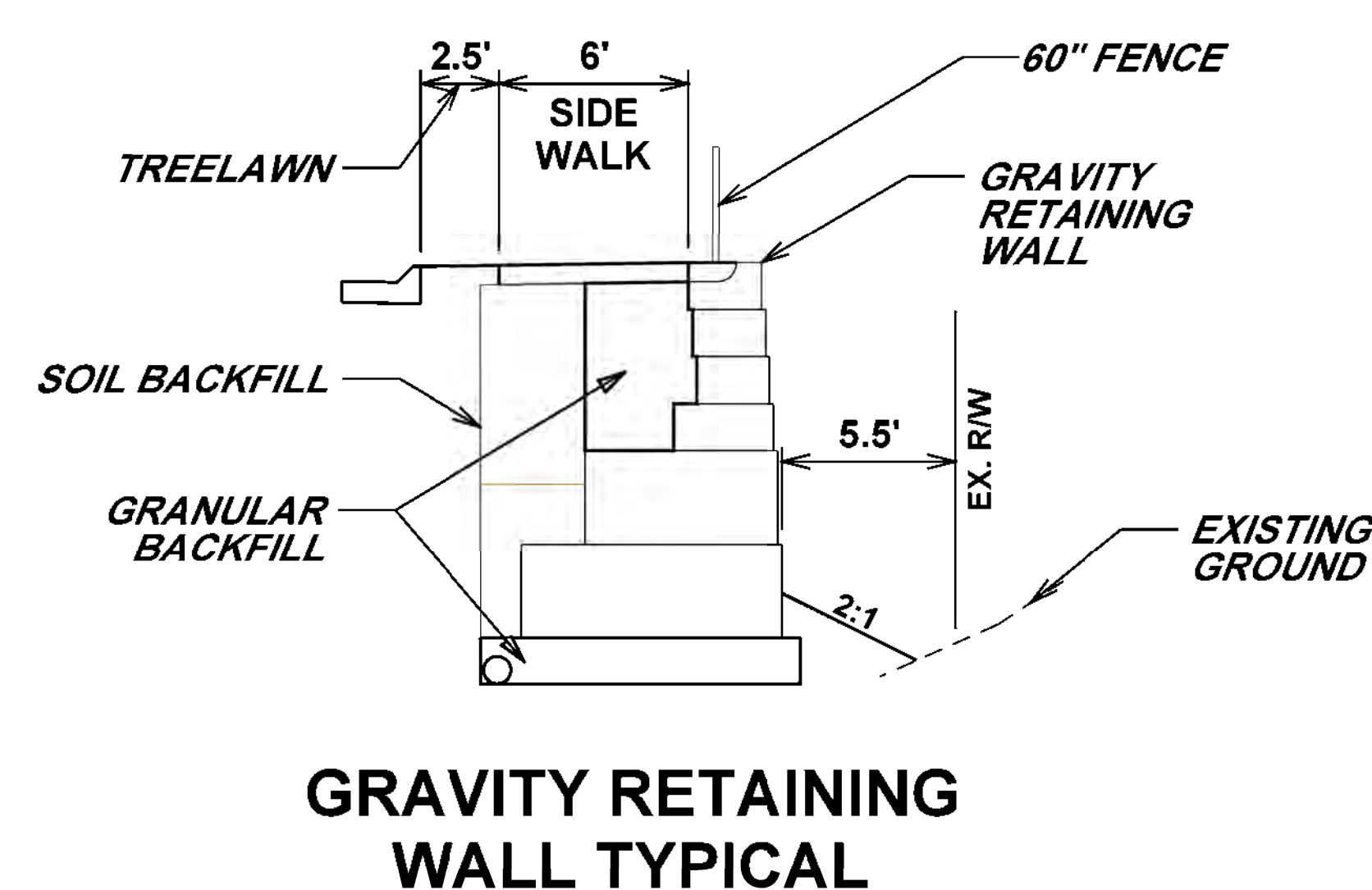
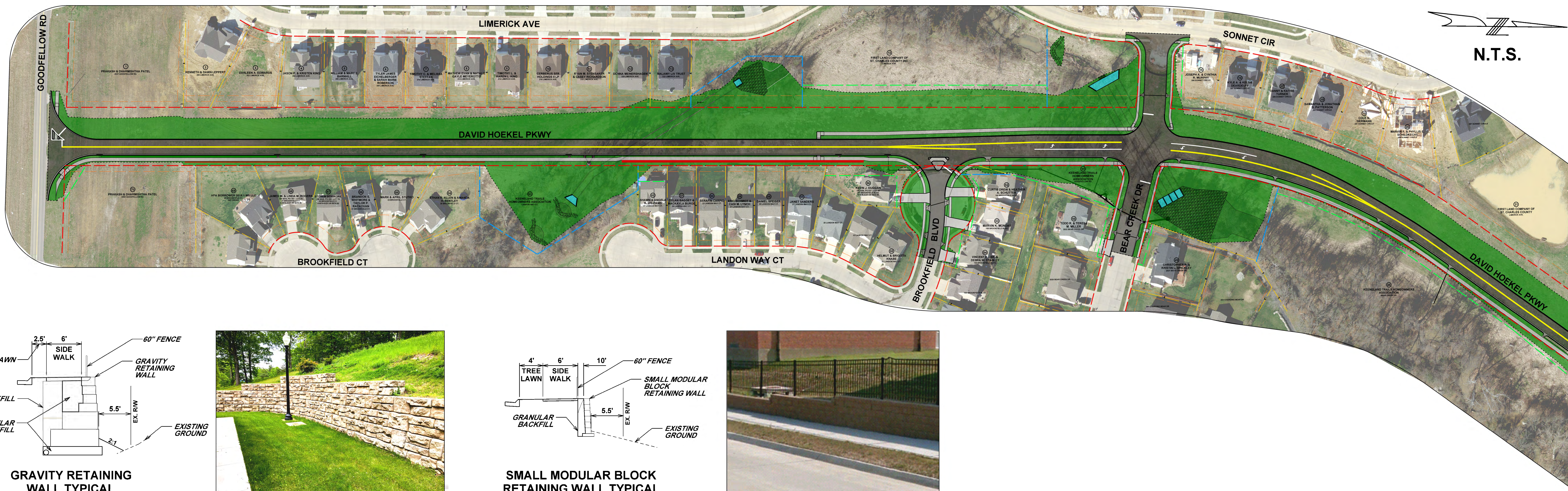


DAVID HOEKEL PARKWAY PHASE 2D



LEGEND

	EXISTING RIGHT OF WAY		PROPOSED PAVEMENT
	PROPERTY LINE		PROPOSED CURB AND GUTTER
	EXISTING EASEMENT		PROPOSED CONCRETE SIDEWALK AND DRIVEWAY
	PROPOSED TEMPORARY CONSTRUCTION EASEMENT		SEEDING / SODDING
	PROPOSED PERMANENT DRAINAGE EASEMENT		RIPRAP
	PROPOSED BLOCK WALL		CHANEL LINER